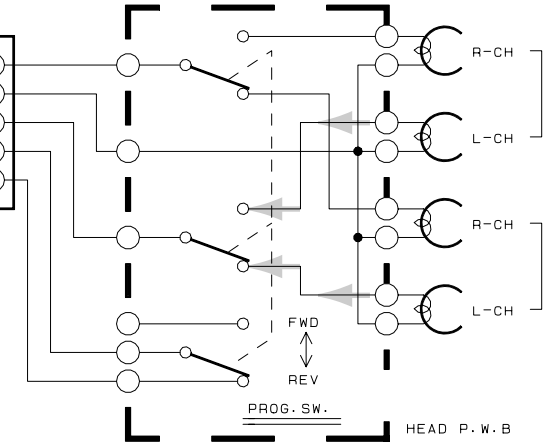
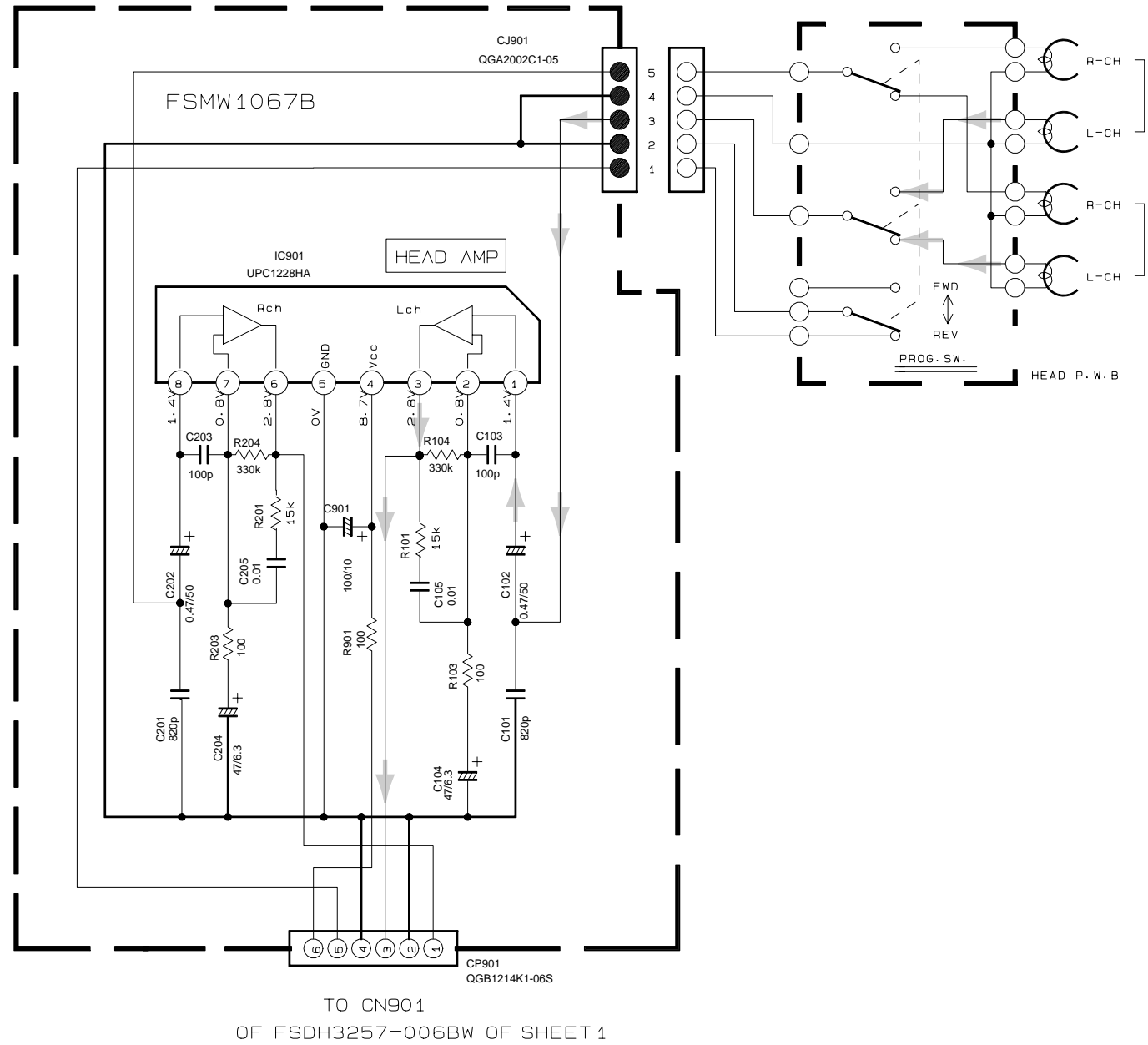
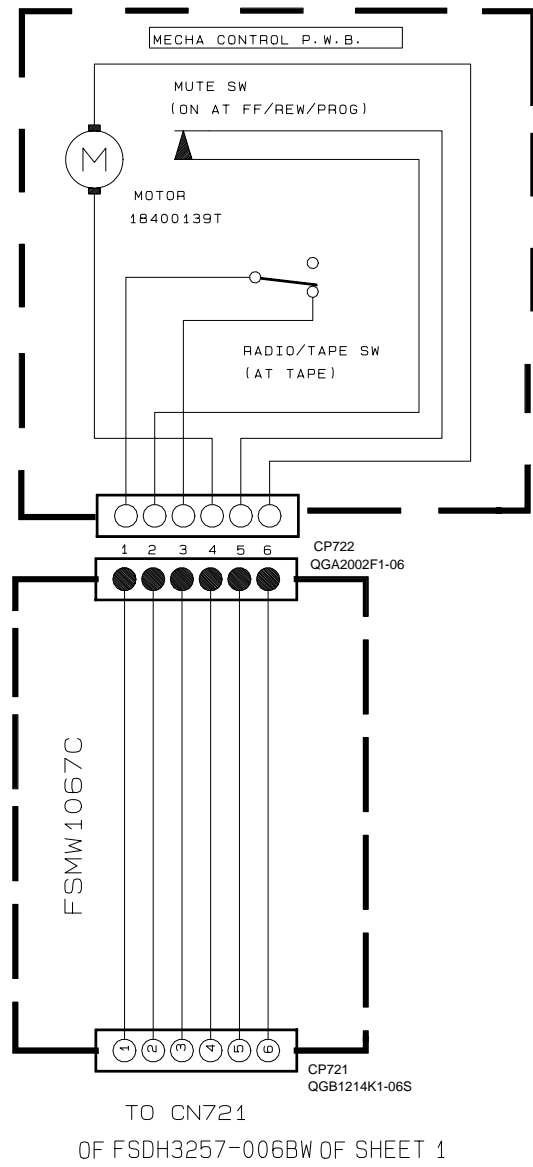


< MEMO >

Standard schematic diagrams

■ Head amplifier circuit

5
4
3
2
1



➔ Tape PB/Main signal

Receiver & operation switch circuit section

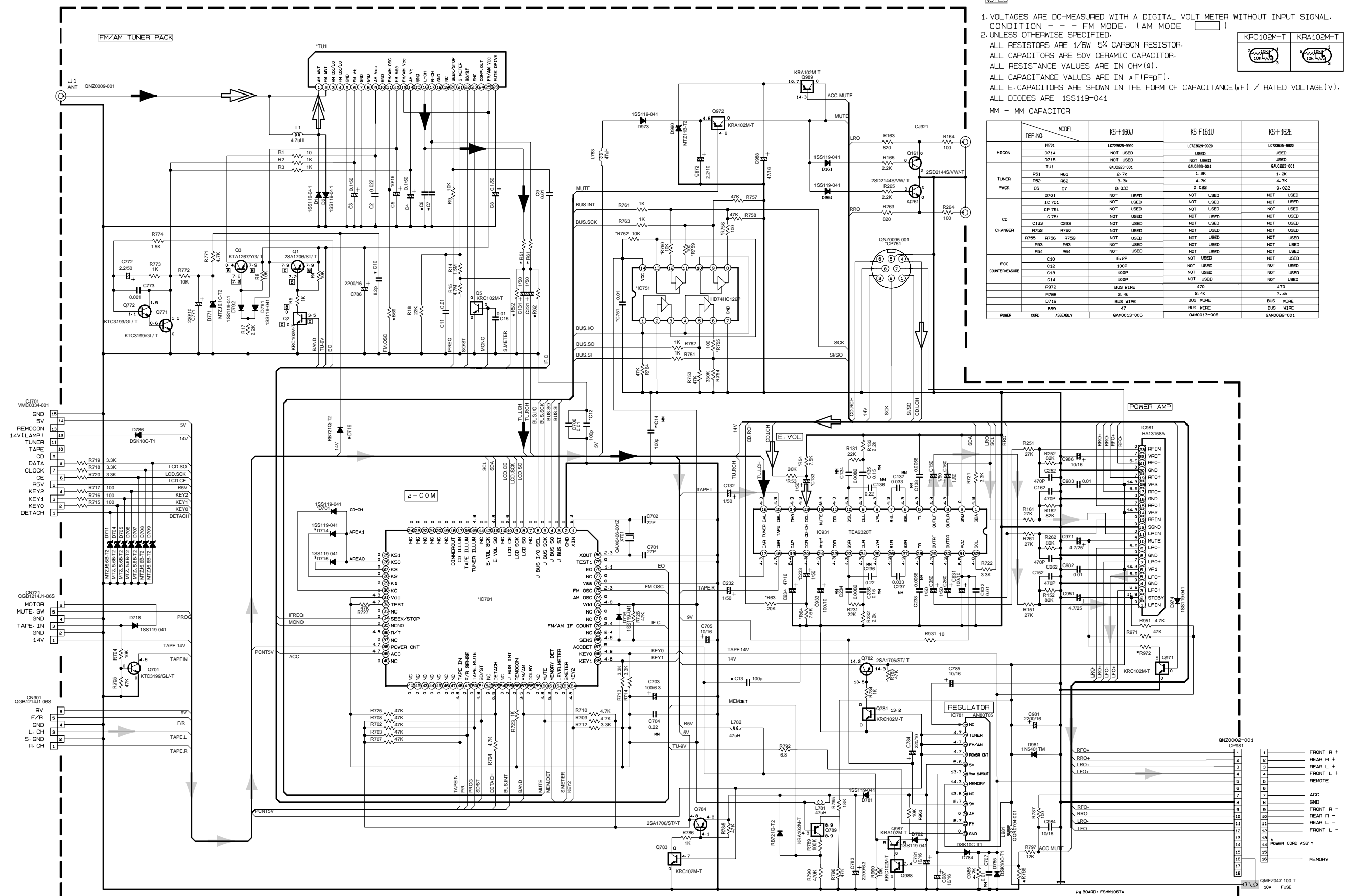
NOTES

- 1. VOLTAGES ARE DC-MEASURED WITH A DIGITAL VOLT METER WITHOUT INPUT SIGNAL. CONDITION - - - FM MODE. (AM MODE)
 - 2. UNLESS OTHERWISE SPECIFIED:
- ALL RESISTORS ARE 1/6W 5% CARBON RESISTOR.
 ALL CAPACITORS ARE 50V CERAMIC CAPACITOR.
 ALL RESISTANCE VALUES ARE IN OHM(Ω).
 ALL CAPACITANCE VALUES ARE IN μF(P=pF).
 ALL E. CAPACITORS ARE SHOWN IN THE FORM OF CAPACITANCE(μF) / RATED VOLTAGE(V).
 ALL DIODES ARE 1SS119-041
 MM - MM CAPACITOR

KRC102M-T	KRA102M-T

REF. NO.	MODEL	KS-F160J	KS-F160U	KS-F160E
MICRON	D701	LC7262N-990	LC7262N-990	LC7262N-990
	D714	NOT USED	USED	USED
	D715	NOT USED	NOT USED	NOT USED
	TU1	GAU023-001	GAU023-001	GAU023-001
TUNER PACK	R61	2.7K	1.2K	1.2K
	R62	3.3K	4.7K	4.7K
	C6	0.033	0.022	0.022
	D701	NOT USED	NOT USED	NOT USED
	IC 751	NOT USED	NOT USED	NOT USED
	CP 751	NOT USED	NOT USED	NOT USED
	C 751	NOT USED	NOT USED	NOT USED
CD CHANGER	C133	C233	NOT USED	NOT USED
	R752	R760	NOT USED	NOT USED
	R755	R756	NOT USED	NOT USED
	R758	R759	NOT USED	NOT USED
	R63	R63	NOT USED	NOT USED
	R64	NOT USED	NOT USED	NOT USED
FCC COUNTERMEASURE	C10	8-SP	NOT USED	NOT USED
	C12	100P	NOT USED	NOT USED
	C13	100P	NOT USED	NOT USED
	C14	100P	NOT USED	NOT USED
	R972	BUS WIRE	470	470
	R789	NOT USED	NOT USED	NOT USED
	D719	BUS WIRE	2.4K	2.4K
	R69	BUS WIRE	47	47
POWER	CORD	ASSEMBLY	GAM013-006	GAM013-006
				GAM009-001

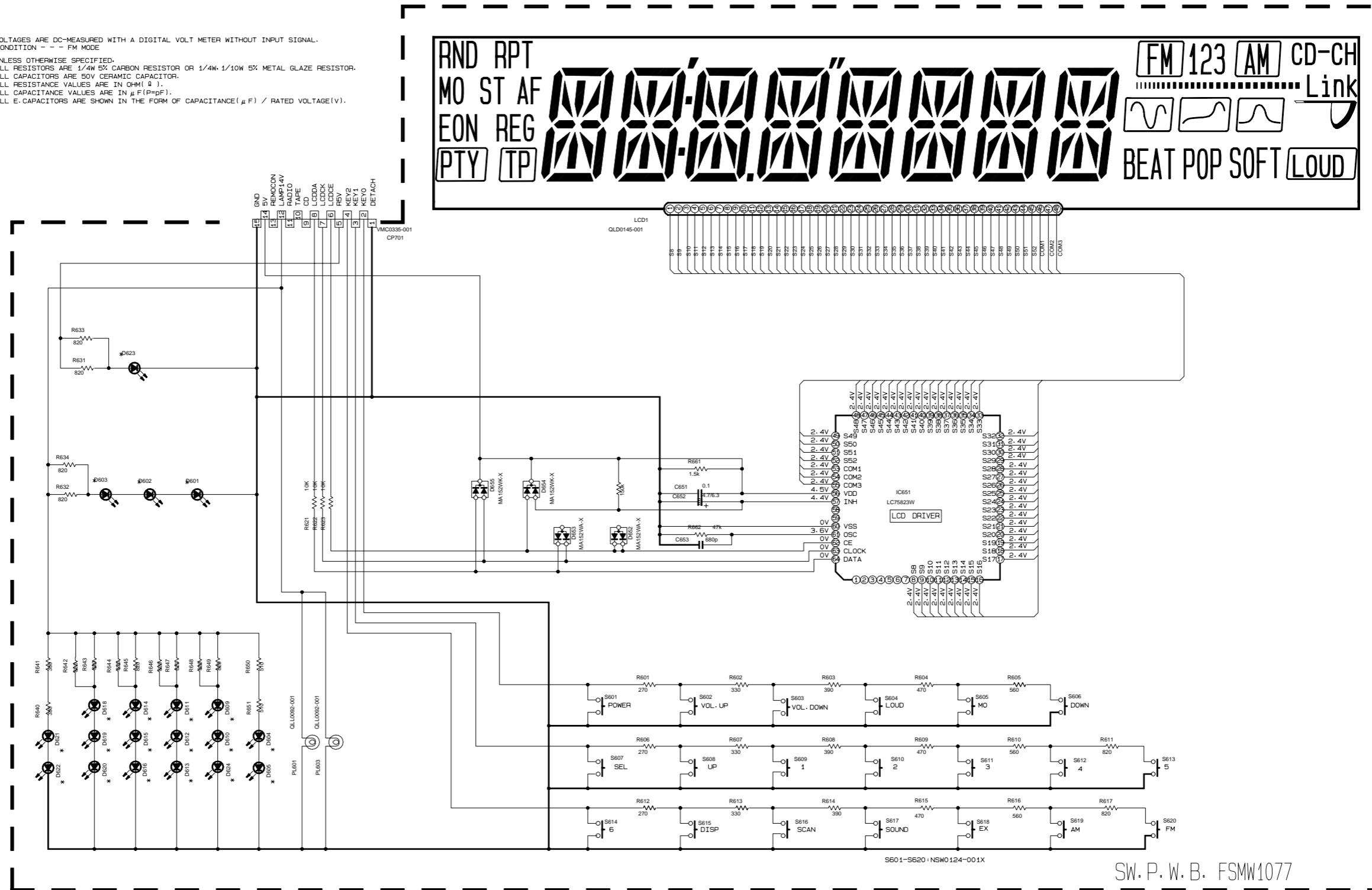
5
4
3
2
1



■ Display / switch circuit section

NOTES

1. VOLTAGES ARE DC-MEASURED WITH A DIGITAL VOLT METER WITHOUT INPUT SIGNAL.
CONDITION --- FM MODE
2. UNLESS OTHERWISE SPECIFIED:
ALL RESISTORS ARE 1/4W 5% CARBON RESISTOR OR 1/4W 1/10W 5% METAL GLAZE RESISTOR.
ALL CAPACITORS ARE 50V CERAMIC CAPACITOR.
ALL RESISTANCE VALUES ARE IN OHM(Ω).
ALL CAPACITANCE VALUES ARE IN μF(PpF).
ALL E-CAPACITORS ARE SHOWN IN THE FORM OF CAPACITANCE(μF) / RATED VOLTAGE(V).



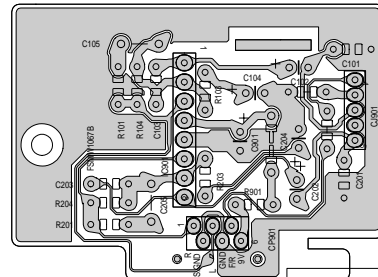
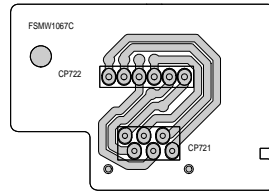
SW.P.W.B. FSMW1077

MODEL	KS-F160J	KS-F161U	KS-F162E
REF. NO.			
D601 - D622/D624	SM-310VT/K/-X	LNJ30366R1/1-3/X	LNJ30366R1/1-3/X
D613	LNJ30366R1/1-3/X	LNJ30366R1/1-3/X	LNJ30366R1/1-3/X
D623	SM-310LT/MV-X	SM-310LT/MV-X	SM-310LT/MV-X

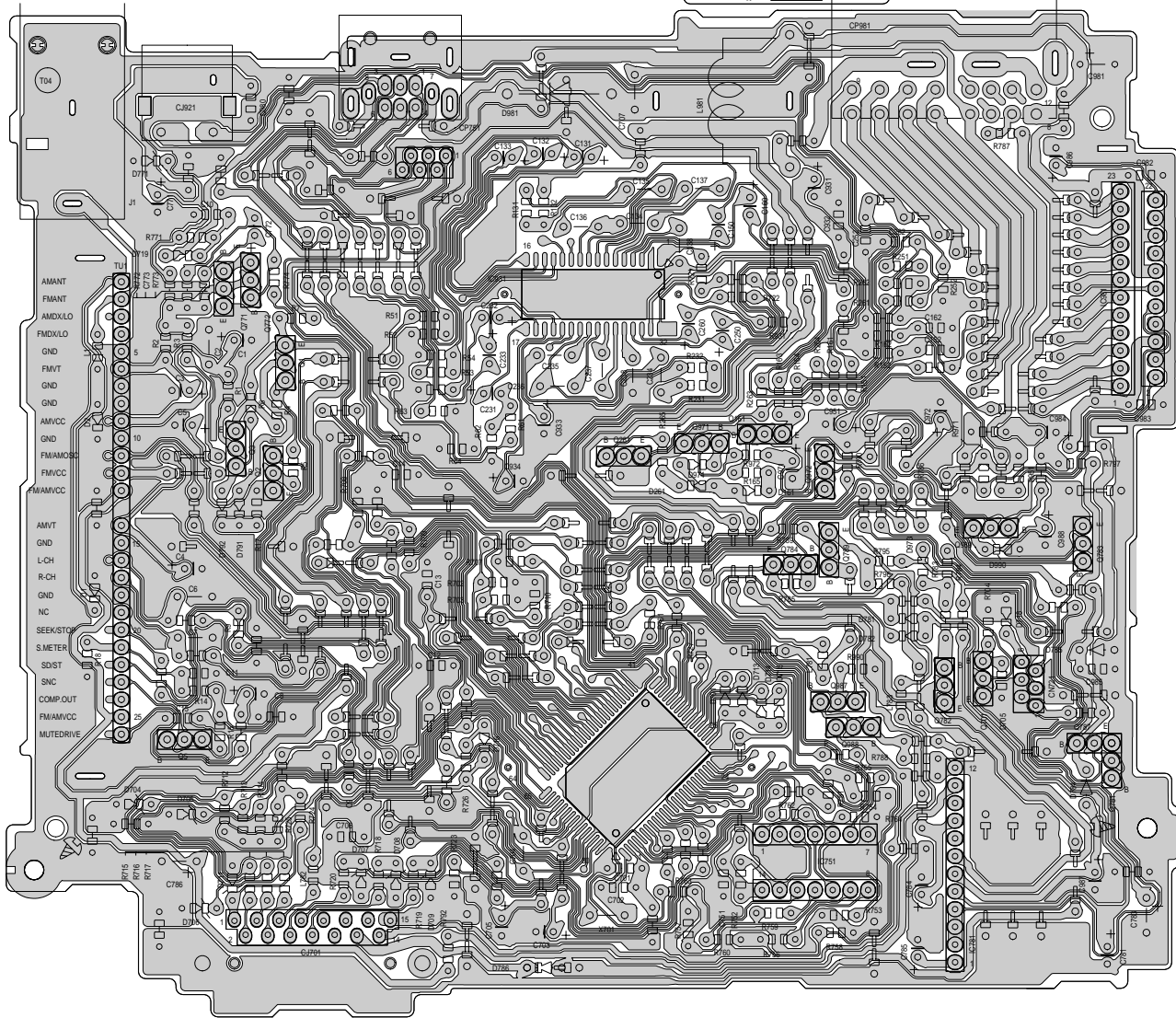
Printed circuit boards

■ Main board

5



4

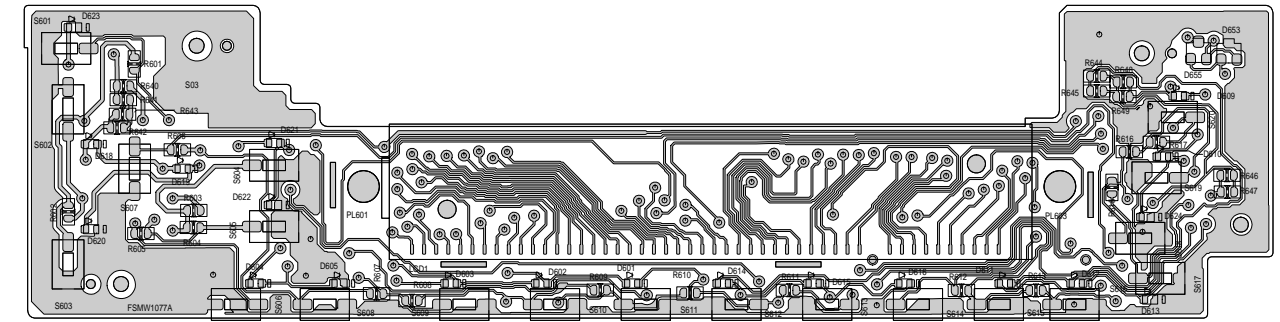


3

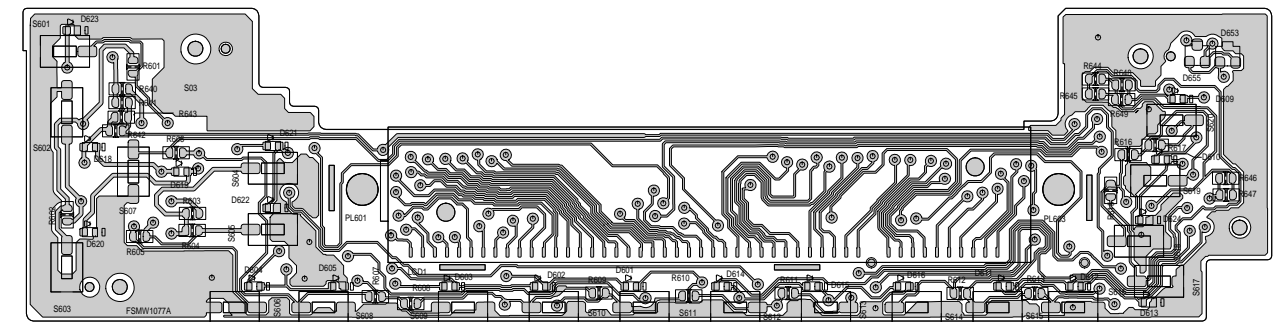
2

1

■ Front board(Forward side)



■ Front board(Reverse side)



A

B

C

2-6

D

E

F

G

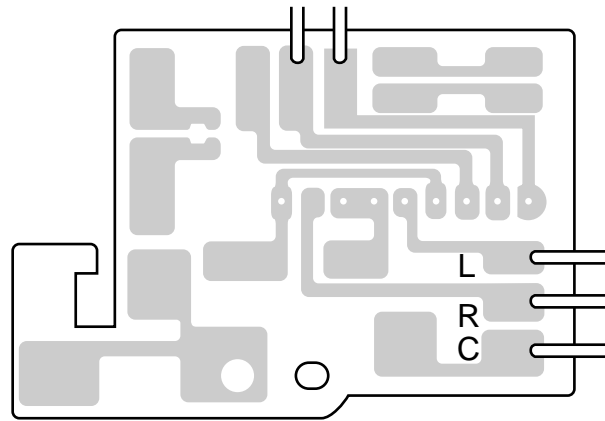
H

■Cassette mchanism boards

Mute Board



Direction switch board



5

4

3

2

1

A

B

C